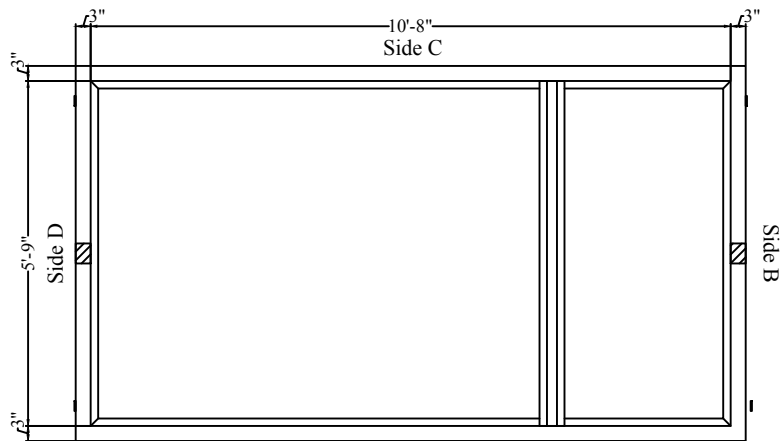


A

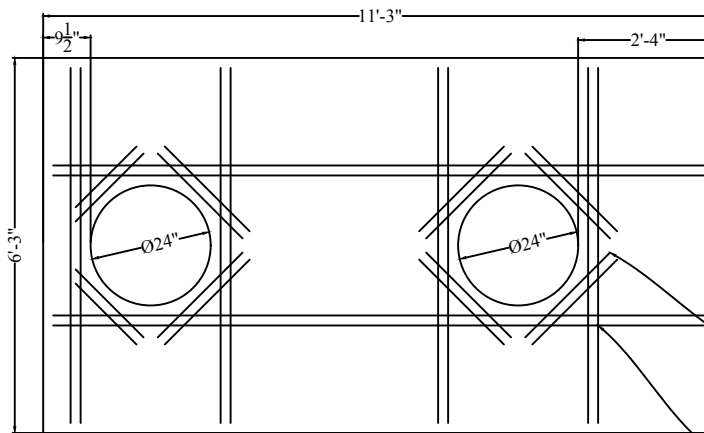
B

C

D



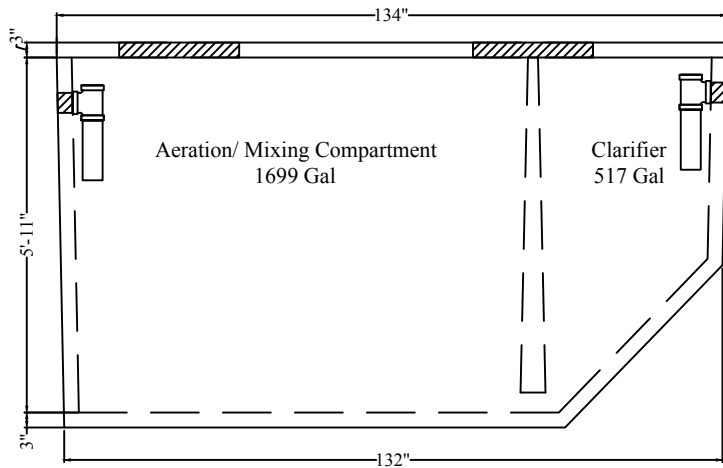
Side A  
**Plan View**  
 (Top Slab Not Shown)



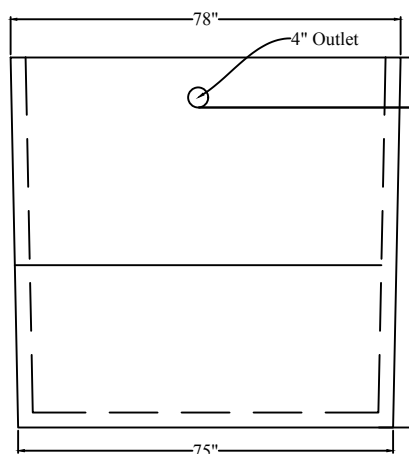
**Top Slab Plan View**

(2) #4 Trim Bars  
 Each Corner Of Opening

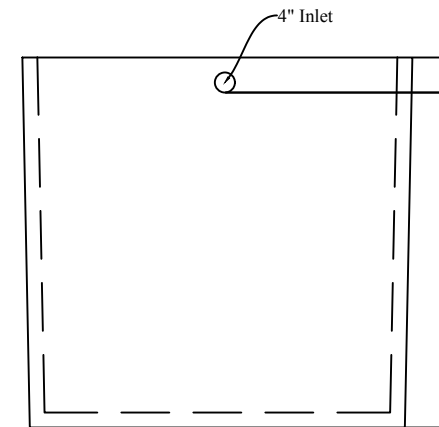
(2) Extra Bars  
 Each Side Of Opening



**Side A Layout Elevation**



**Side B Elevation**



**Side D Elevation**

**Individual Weights**

Base	Top Slab
9500	3600



**Turner Co.**

P.O. Box 885  
 Rhome, TX 76078

DRAWN BY:

TSH

JOB NO:

DATE:

08/24/22

WEIGHT:

13100#

Revision Number

R0

Sheet 1 of 1

PRODUCT

AA1500

JOB NAME

**Notes:**

- Concrete: Design Strength 5,000 PSI @ 28 Days
- Reinforcement: ASTM A-615, Grade 60 or ASTM A-1064 Welded Wire Fabric
- H-20 Rated
- Product Tolerances are in Accordance With ASTM C913, Section 7