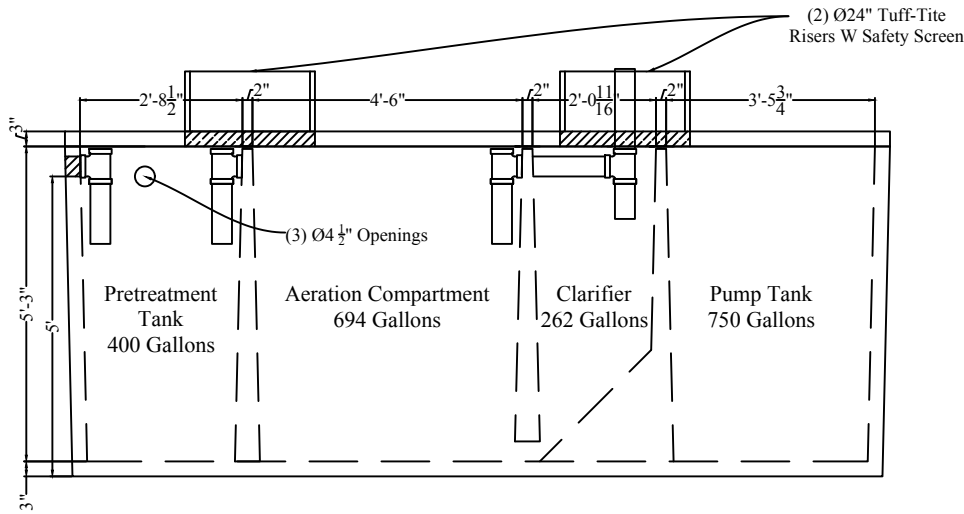
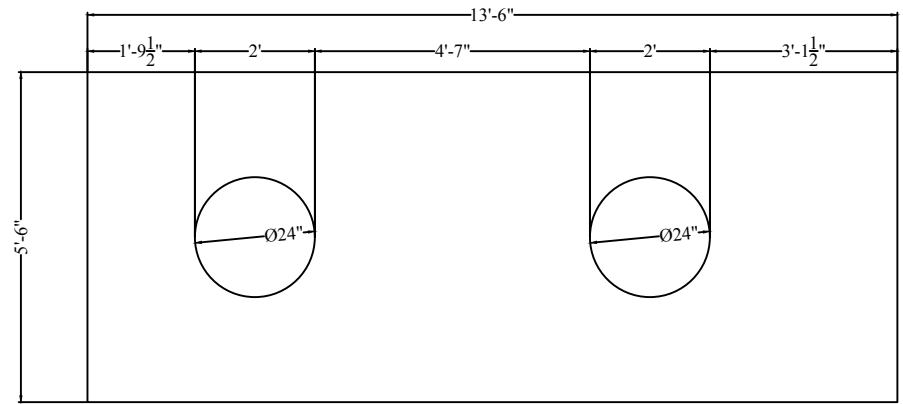
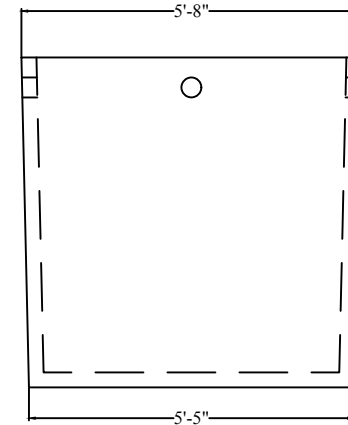


Plan View



Front Elevation



Side Elevation

The Turner Co.

DRAWN BY: TSH	JOB NO:	DATE: 12/14/21
CUSTOMER & PRODUCT AA600-750 AA600 One Piece With 750 Pump Tank		JOB NAME

- Notes:
- Concrete: Design Strength 5,000 PSI @ 28 Days
 - Reinforcement: ASTM A-615, Grade 60 or ASTM A-1064 Welded Wire Fabric
 - Product Tolerances are in Accordance With ASTM C913, Section 7

DWG NO:

REV: