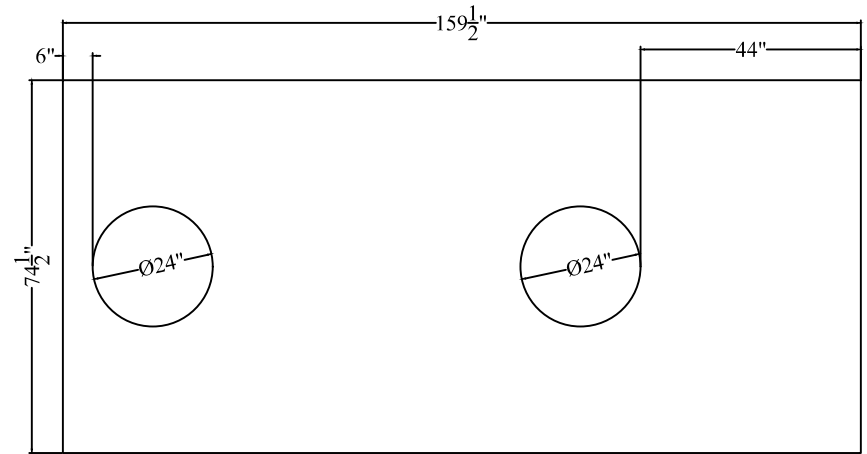
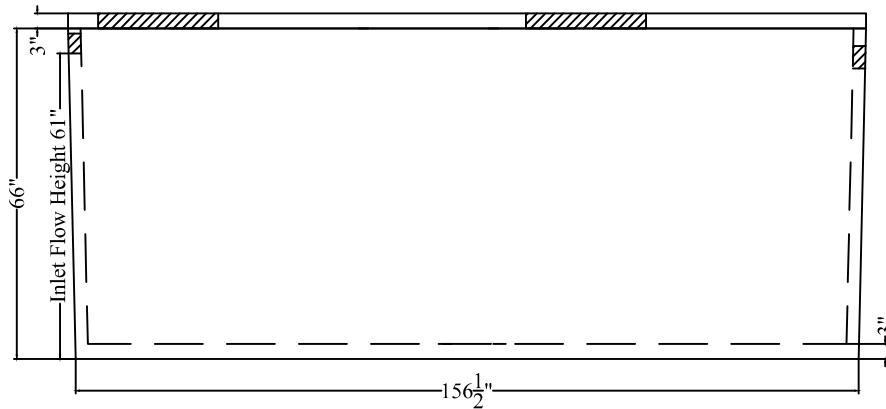


Plan View

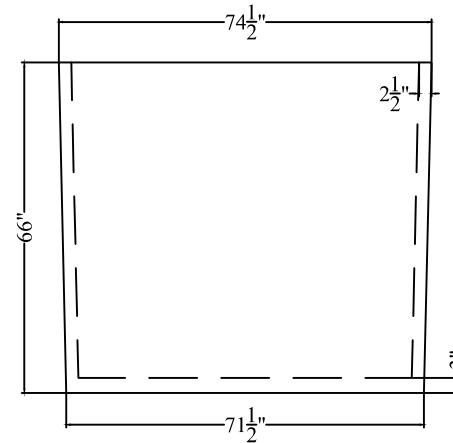
(Top Slab Not Shown)



Top Slab Plan View



Front Elevation View



Side Elevation View

The Turner
Co.

DRAWN BY: TSH	JOB NO:	DATE: 12/14/21
CUSTOMER & PRODUCT 2250 Gallon Trash or Pump Tank		JOB NAME

DWG NO:	REV:
---------	------

- Notes:
- Concrete: Design Strength 5,000 PSI @ 28 Days
 - Reinforcement: ASTM A-615, Grade 60 or ASTM A-1064 Welded Wire Fabric
 - Product Tolerances are in Accordance With ASTM C913, Section 7