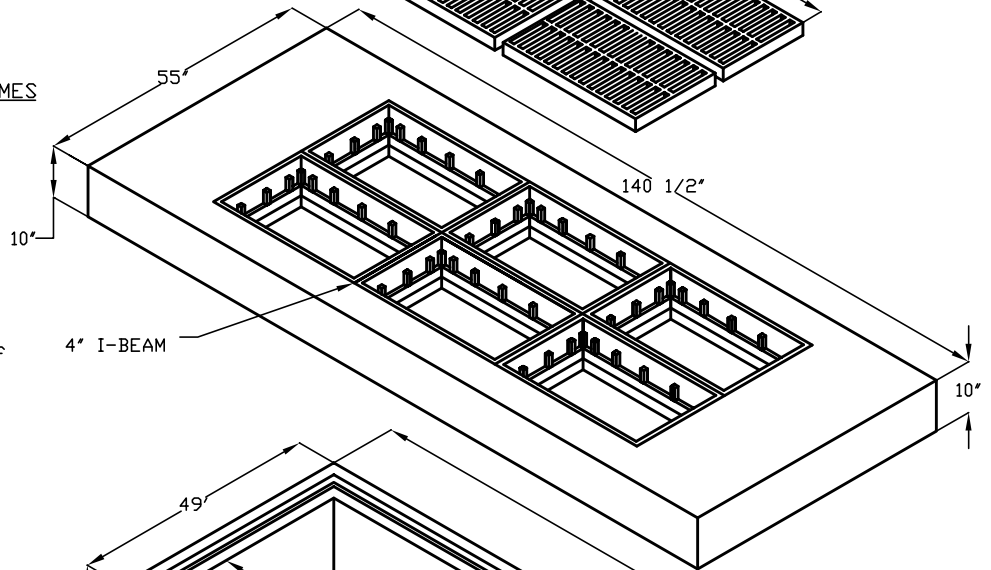
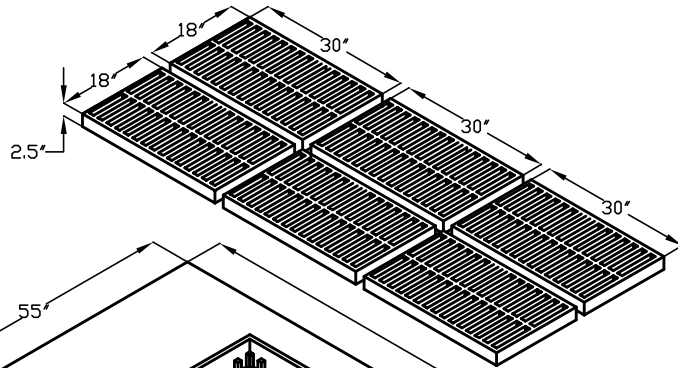


6 - Grate Inlet

(6) C.I. Grates
WGT. - 180 LBS EA.

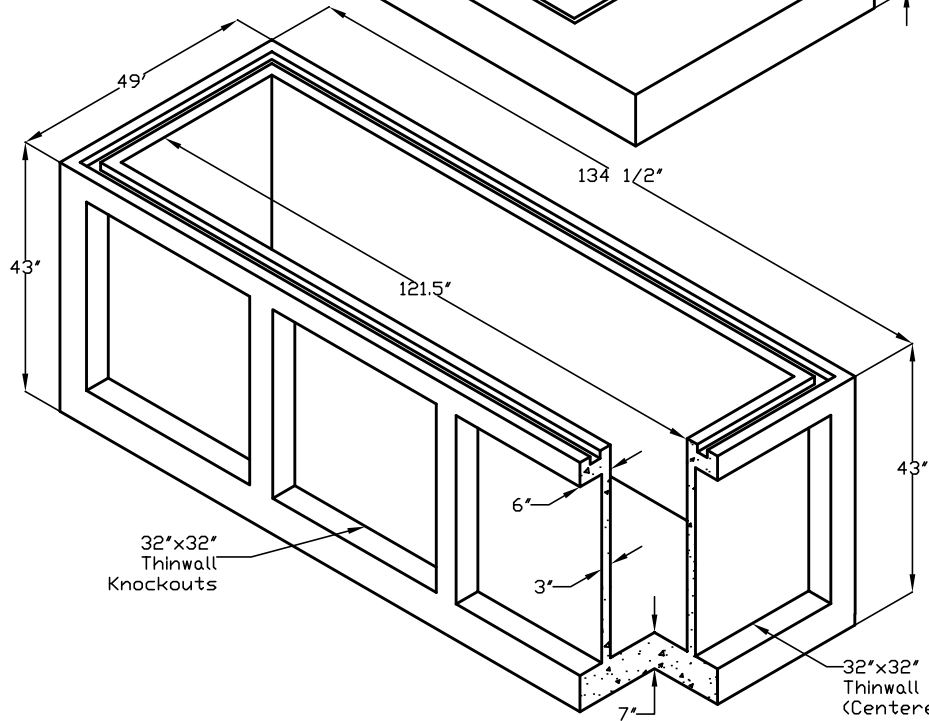
INLET TOP - 6 FRAMES



4" I-BEAM

Specifications:

1. Concrete: Has a Design Strength of 5,000 psi at 28 Days.
2. Steel Reinforcement: ASTM A-615, Grade 60 or ASTM A-497 Welded Wire Fabric.
3. Loading: Designed for H2O Loading.



32"x32"
Thinwall
Knockouts

32"x32"
Thinwall Knc
(Centered)

The Turner Company			11049 Highway 287 Rhame, Tx 76078 (817) 638-9053
Product: 6 - Grate Inlet			
Concrete: 5,000 PSI MIN. - 28 DAY STRENGTH			
Reinforcement: MEETS OR EXCEEDS ASTM A-615 or A-185 Req.			
Size:	Date:	DWG No.	
Weight:			