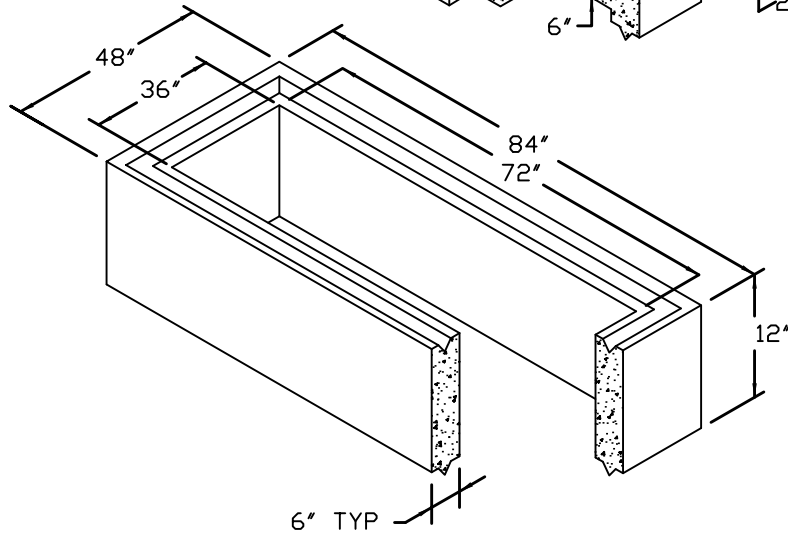
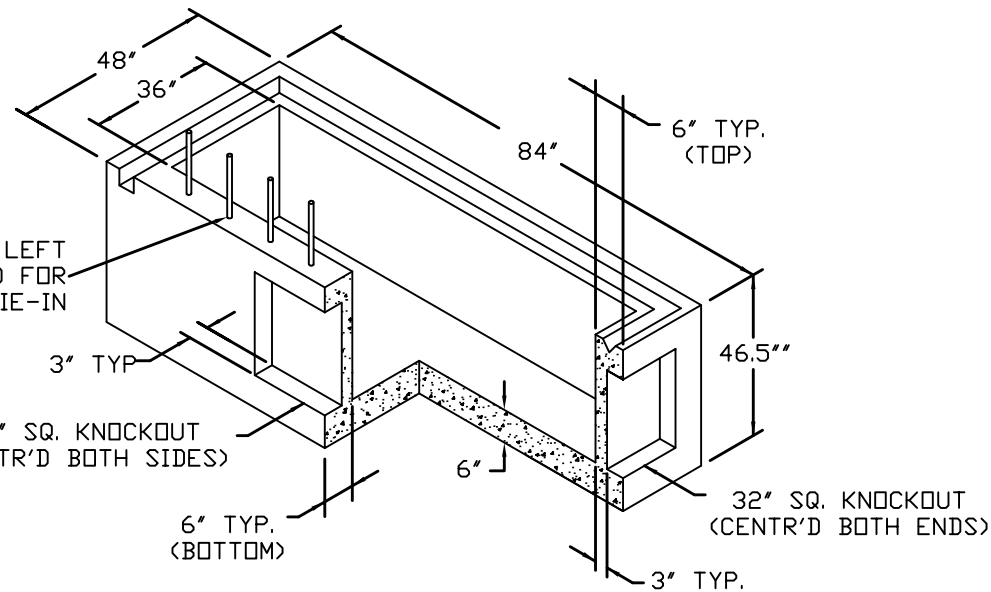


CURB TOP
WGT. = 4,000 LBS



EXTENSION
WGT. = 1,500 LBS



BOTTOM
WGT. = 7,100 LBS

#3 REBAR LEFT EXPOSED FOR GUTTER TIE-IN

32" SQ. KNOCKOUT (CENTR'D BOTH SIDES)

32" SQ. KNOCKOUT (CENTR'D BOTH ENDS)

The Turner Company			11049 Highway 287 Rhome, Tx 76078 (817) 638-9053
Product:			6' CURB INLET
Concrete:			5,000 PSI MINIMUM
Reinforcement:			MEETS OR EXCEEDS ASTM A-615 or A-185
Size:	Date:	DWG No.	6'-0 CURB INLET
Weight:			