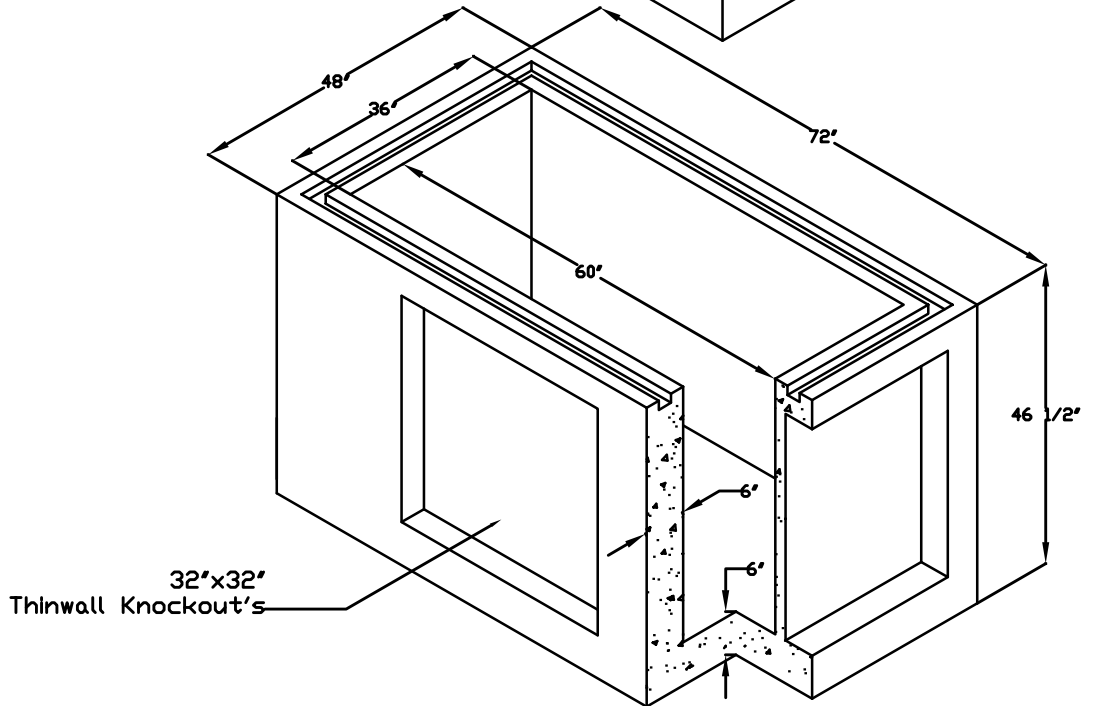
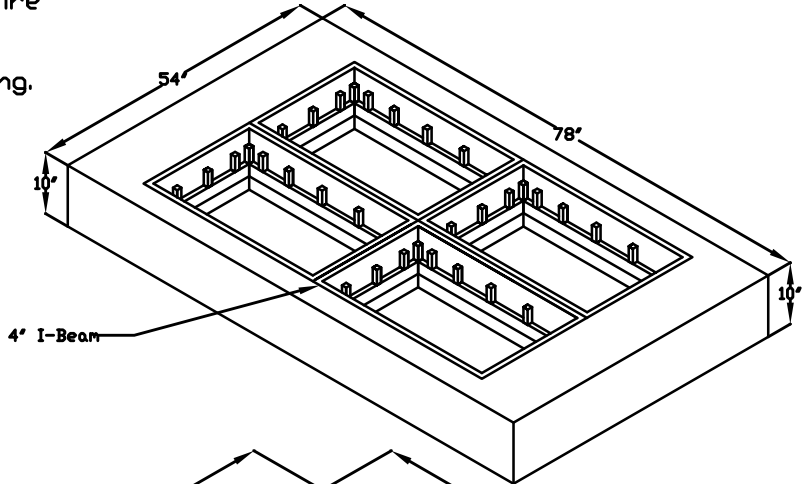
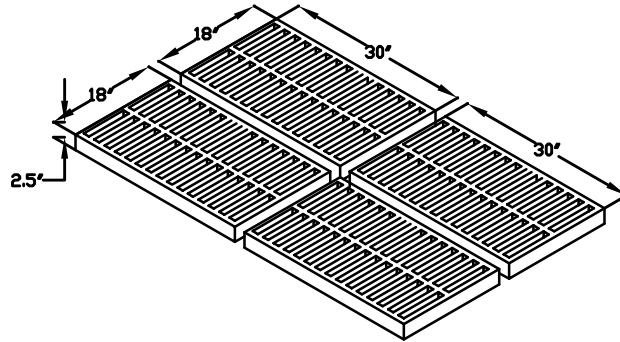


4 - Grate Inlet

Specifications:

1. Concrete: Has a Design Strength of 5,000 psi at 28 Days.
2. Steel Reinforcement: ASTM A-615, Grade 60 or ASTM A-497 Welded Wire Fabric.
3. Loading: Designed for H20 Loading.



The Turner Company			11049 Highway 287 Rhone, Tx 76078 (817) 638-9053
Product: 4 - Grate Inlet			
Concrete: 5,000 PSI MIN. - 28 DAY STRENGTH			
Reinforcement: MEETS OR EXCEEDS ASTM A-615 or A-185 Req.			
Size:	Date:	DWG No.	
Weight:			