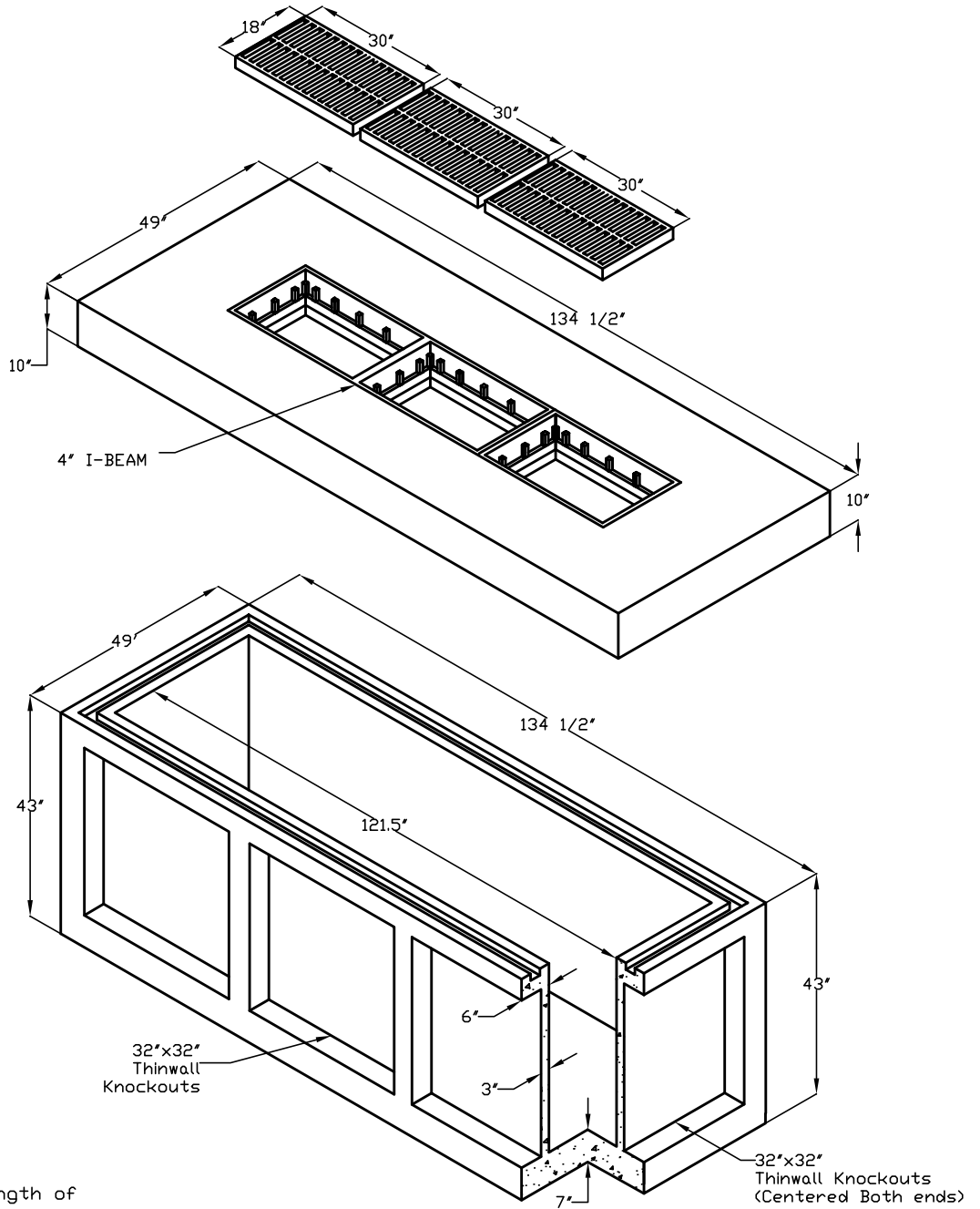


# 3 - Grate Inlet

(3) C.I. Grates  
WGT. - 180 LBS EA.

INLET TOP - 3 FRAMES



## Specifications:

1. Concrete: Has a Design Strength of 5,000 psi at 28 Days.
2. Steel Reinforcement: ASTM A-615, Grade 60 or ASTM A-497 Welded Wire Fabric.
3. Loading: Designed for H20 Loading.

The Turner Company		11049 Highway 287 Rhone, Tx 76078 (817) 638-9053
Product:	3 - Grate Inlet	
Concrete:	5,000 PSI MIN. - 28 DAY STRENGTH	
Reinforcement:	MEETS OR EXCEEDS ASTM A-615 or A-185 Req.	
Size:	Date:	Dwg. No.
Weight:		