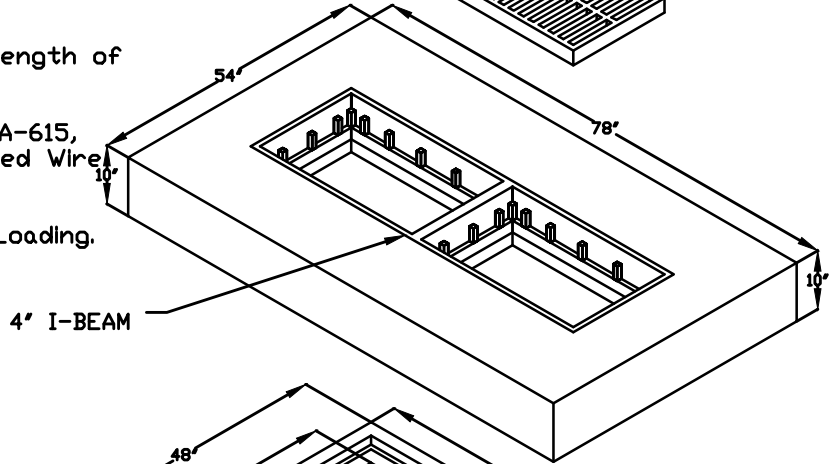
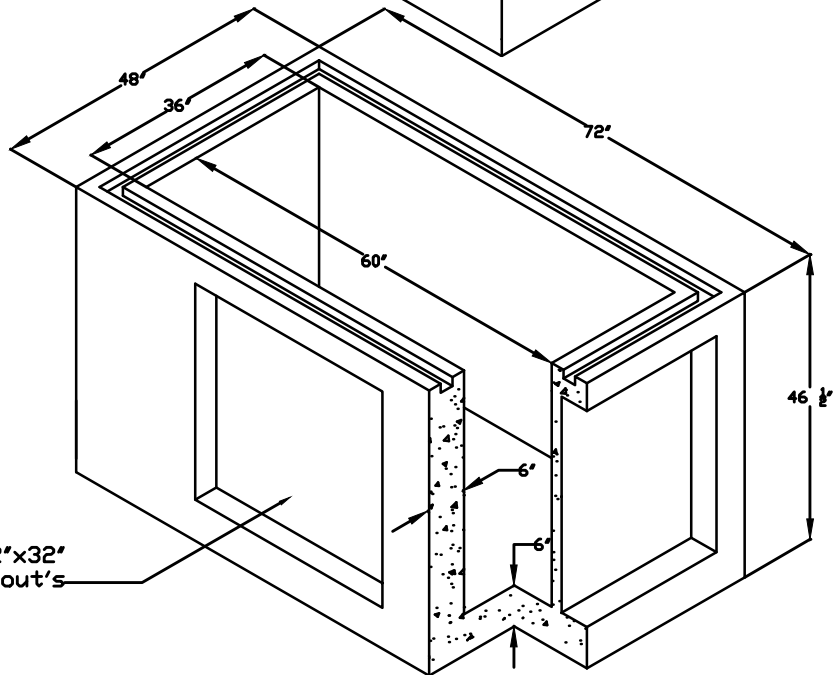
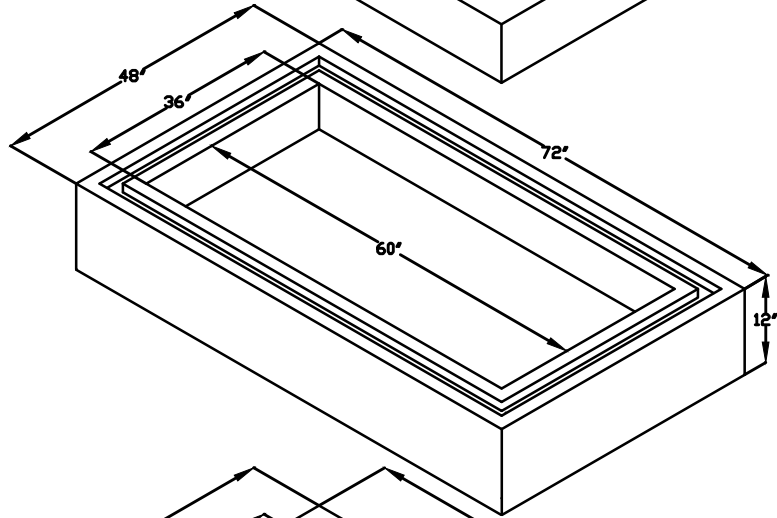


Specifications:

1. Concrete: Has a Design Strength of 5,000 psi at 28 Days.
2. Steel Reinforcement: ASTM A-615, Grade 60 or ASTM A-497 Welded Wire Fabric.
3. Loading: Designed for H20 Loading.



4" I-BEAM



32"x32"
Thinwall Knockout's

**The Turner
Co.**

DRAWN BY: RTH	JOB NO:	DATE: 11/16/2012
CUSTOMER & PRODUCT		
2 GRATE INLET		

JOB NAME: