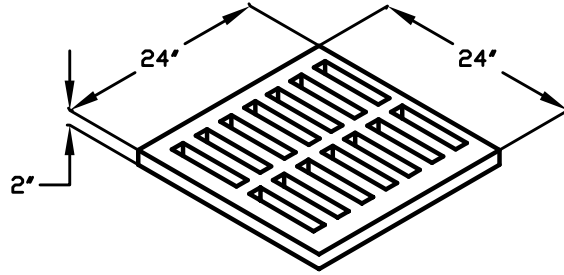
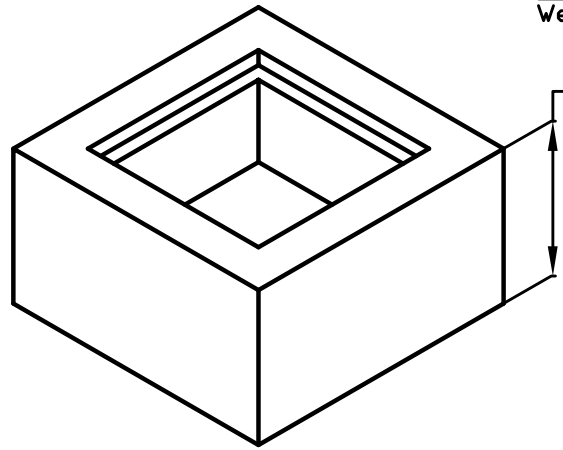


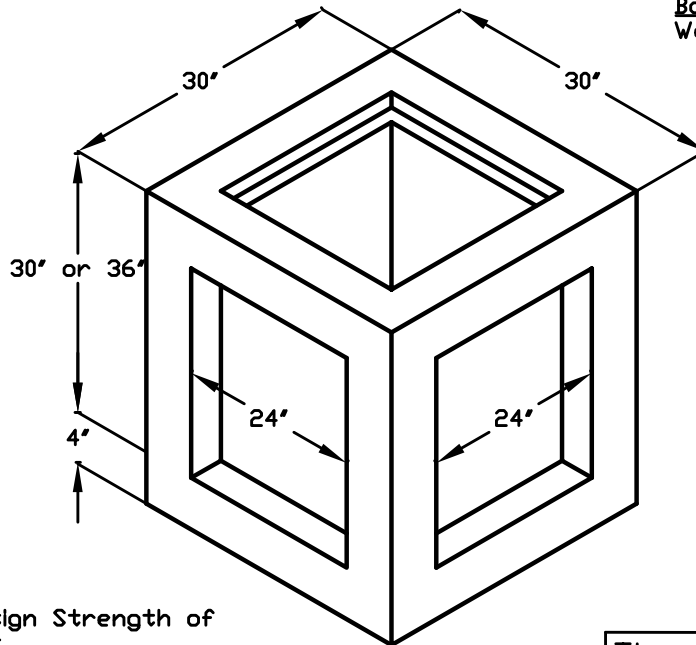
22" x 22" ID Catch Basin  
#24 Catch Basin



**Grate**  
 Weight: 100 Lbs.



**Extension**  
 Weight: 12" - 430 Lbs.  
 18" - 650 Lbs.



**Body**  
 Weight: 30" - 1,200 Lbs.  
 36" - 1,600 Lbs.

Specifications:

1. Concrete: Has a Design Strength of 5,000 psi at 28 Days.
2. Steel Reinforcement: ASTM A-615, Grade 60 or ASTM A-185 Welded Wire Fabric.
3. Loading: Designed for H2O Loading.

<b>The Turner Company</b>		11049 Highway 287 Rhome, Tx 76078 (817) 638-9053
Product: 22" x 22" ID Catch Basin		
Concrete: 5,000 PSI MIN. - 28 DAY STRENGTH		
Reinforcement: MEETS OR EXCEEDS ASTM A-615 OR A-185		
Size:	Date:	DWG No.
Weight:		