

# 18" X 18" ID Catch Basin

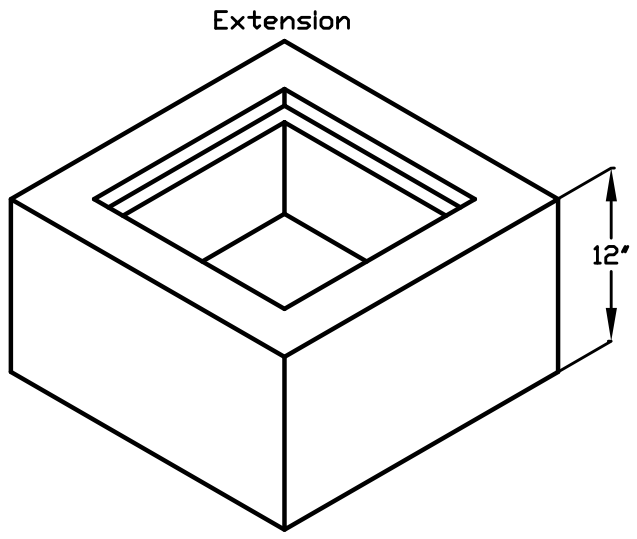
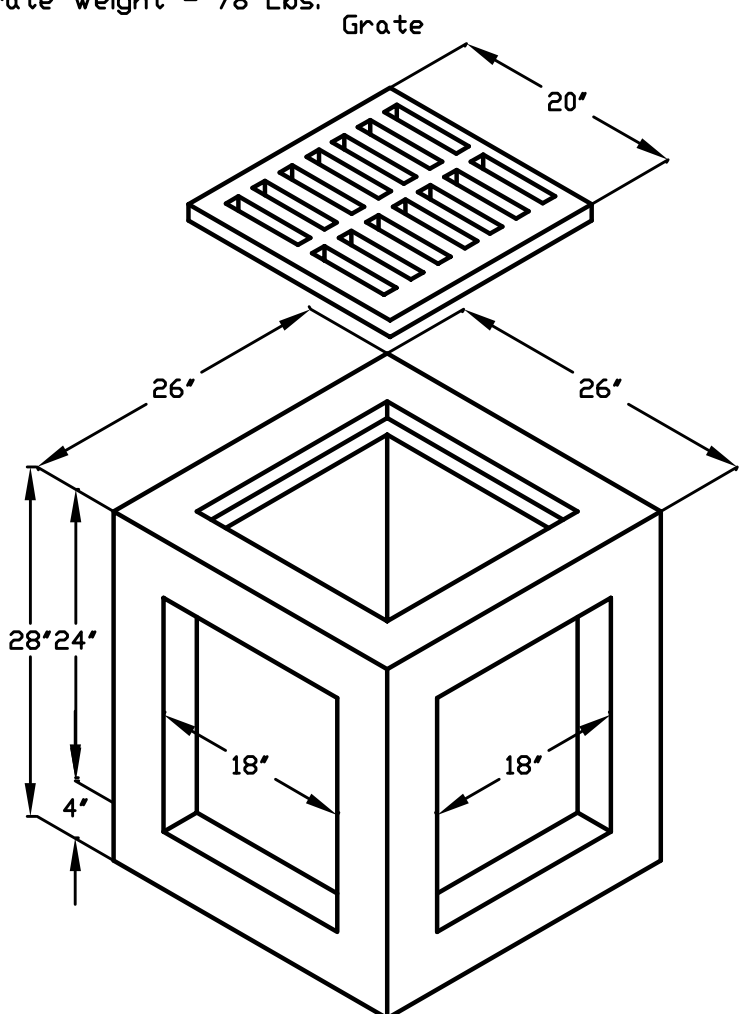
## #20 Catch Basin

Specifications:

1. Concrete: Has a Design Strength of 5,000 psi at 28 Days.
2. Steel Reinforcement: ASTM A-615, or ASTM A-185 Welded Wire Fabric.
3. Loading: Designed for H2O Loading.

Weights

- Catch Basin Weight - 800 Lbs.
- Slab Top Weight - 240 Lbs.
- Wye Inlet Weight - 500 Lbs.
- Extension Weight (12") - 500 Lbs.
- Grate Weight - 78 Lbs.



The Turner Company			11049 Highway 287 Rhame, Tx 76078 (817) 638-9053
Product: 18" x 18" ID Catch Basin			
Concrete: 5,000 PSI MIN. - 28 DAY STRENGTH			
Reinforcement: MEETS OR EXCEEDS ASTM A-615 OR A-185			
Size:	Date:	DWG No.	
Weight:			