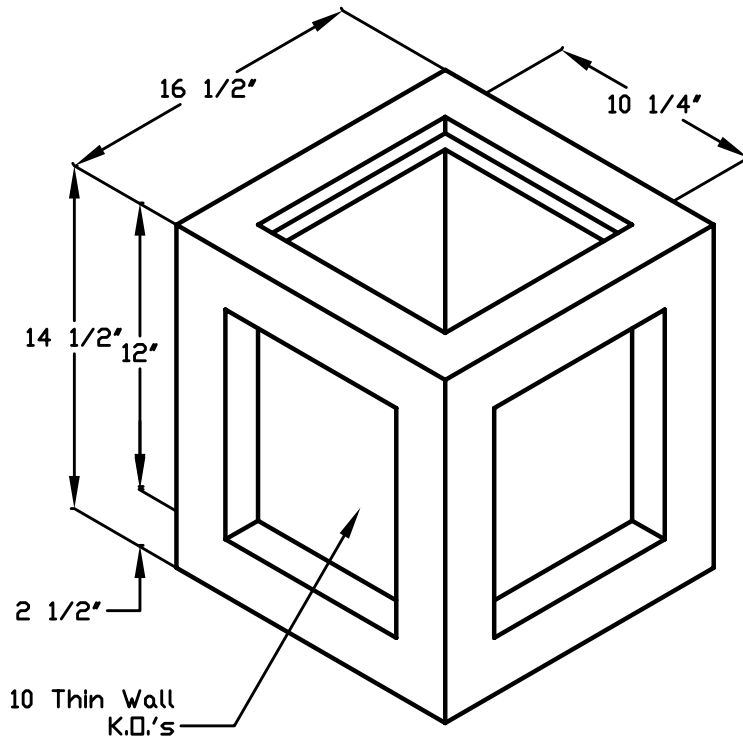
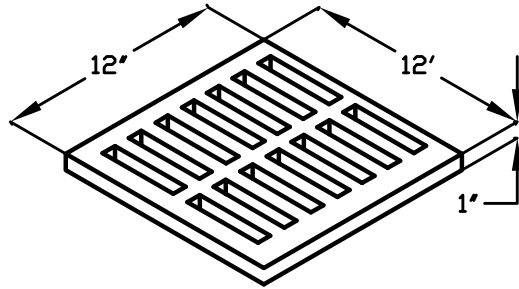


10" x 10" ID Catch Basin
12 Catch Basin



Specifications:

1. Concrete: Has a Design Strength of 5,000 psi at 28 Days.
2. Steel Reinforcement: ASTM A-615, or ASTM A-185 Wire Welded Fabric.
3. Loading: Designed for H20 Loading.
4. Max. Pipe Size: 8" PVC

Weights

Catch Basin Weight - 250 Lbs.

Grate - 18 Lbs.

The Turner Company		11049 Highway 287 Rhome, Tx 76078 (817) 638-9053
Product: 10" x 10" ID Catch Basin		
Concrete: 5,000 PSI MIN. - 28 DAY STRENGTH		
Reinforcement: MEETS OR EXCEEDS ASTM A-615 or A-185		
Size:	Date:	DWG No.
Weight:		