

18"Ø C.I. COVER

WGT. = 55 LBS

CURB TOP RING & COVER

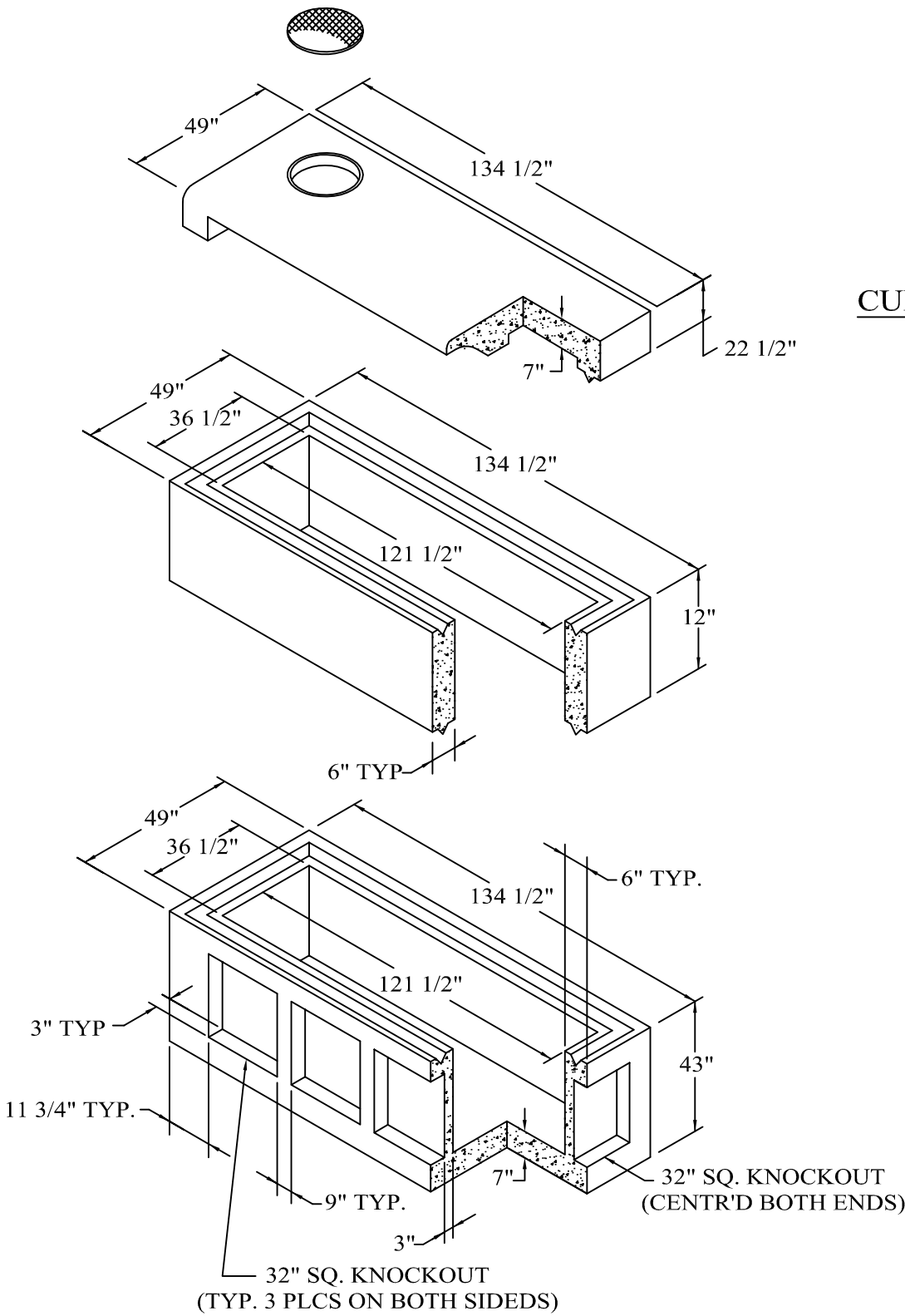
WGT. = 5,000 LBS

EXTENSION

WGT. = 2,400 LBS

BOTTOM

WGT. = 9,600 LBS



SCALE: NONE

The Turner Company

11049 Highway 287  
Rhome, Tx 76078  
(817) 638-9053

Product:  
10' CURB INLET

Concrete:  
5,000 PSI MINIMUM

Reinforcement:  
MEETS OR EXCEEDS ASTM A-615 & ASTM-48

Size: Date: 01-02-2007 DWG No. 10'-0 CURB INLET

Weight: